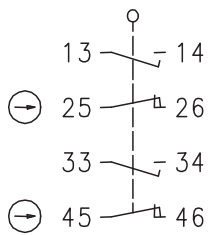


Rope pull switch
Series SID

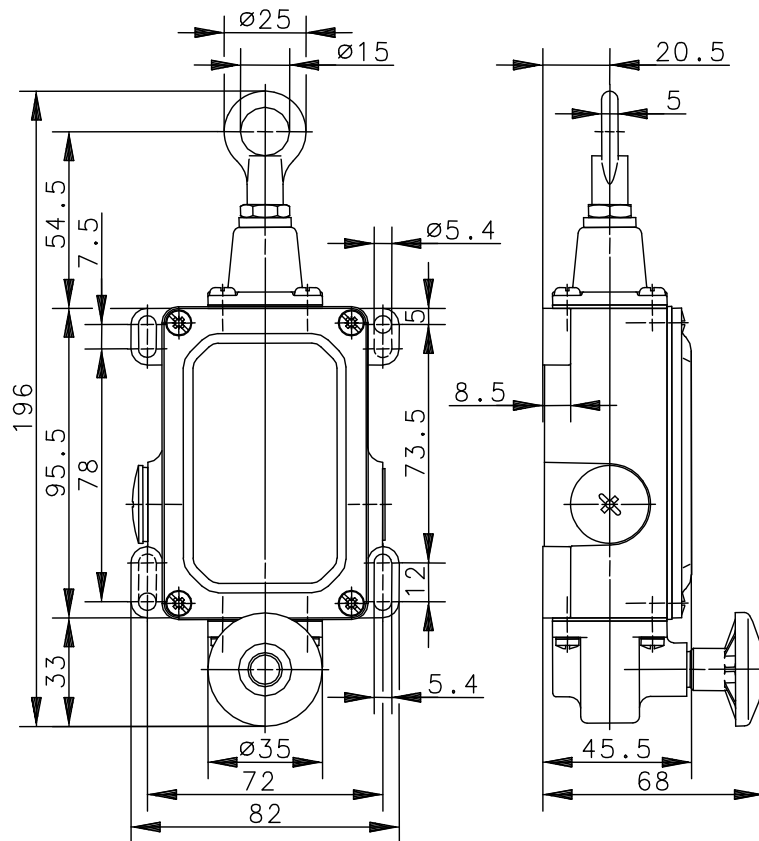
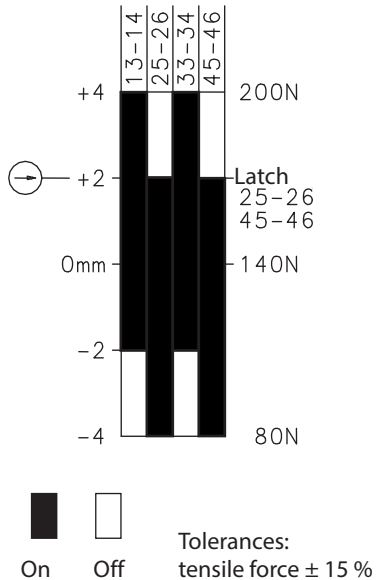
Description **SID-UV2Z P-RAST**

Article number **6012441907**

Operating symbol



Operating diagram
(pretensioned installation)



| Elektrische Daten | | |
|---------------------------------|-----------|-----------------------------------|
| Rated insulation voltage | U_i | 400 V AC |
| Conv. thermal current | I_{the} | 16 A |
| Rated operational voltage | U_e | 240 V |
| Utilization category | | AC-15, U_e / I_e 240 V / 10 A |
| Direct opening action | ⊖ | acc. to IEC/EN 60947-5-1, Annex K |
| Short-circuit protective device | | Fuse 16 A gG |
| Protection class | | I |

| Mechanical data | |
|--------------------------|--|
| Enclosure | Al-die cast |
| Cover | Al-plate |
| Actuator | Pull ring (Zn-die cast) |
| Ambient air temperature | -30 °C ... +80 °C |
| Contact type | 2 NC (locked), 2 NO (Zb) |
| Reset facility | Push button |
| Mechanical life | 1 x 10 ⁶ operating cycles |
| Switching frequency | ≤ 20 / min. |
| Assembly | 4 x M5 |
| Connection | 8 screw terminals (M4) |
| Conductor cross-sections | Solid: 0,5 ... 1,5 mm ² Litz wire with ferrules: 0,5 ... 1,5 mm ² |
| Cable entrance | 2 x M20 x1,5 |
| Weight | ≈ 0,61 kg |
| Installation position | Operator definable |
| Protection type | IP65 acc. to IEC/EN 60529 |

| ID for safety engineering | |
|---------------------------|----------------------------|
| B10d | 2 x 10 ⁶ cycles |

| Standards | |
|-----------|--|
| | VDE 0660 T100, DIN EN 60947-1, IEC 60947-1 |
| | VDE 0660 T200, DIN EN 60947-5-1, IEC 60947-5-1 |
| | DIN EN ISO 13849-1 |

| EU Conformity | |
|---------------|------------------------------|
| | acc. to directive 2006/95/EC |

| Approvals | |
|-----------|---|
| | cCSA _{US} A300 (same polarity) |
| | UL |
| | CCC |

| Notes | |
|--|--|
| The degree of protection (IP code) specified applies solely to a property closed cover and the use of an equivalent cable gland with adequate cable. | |